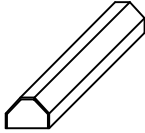
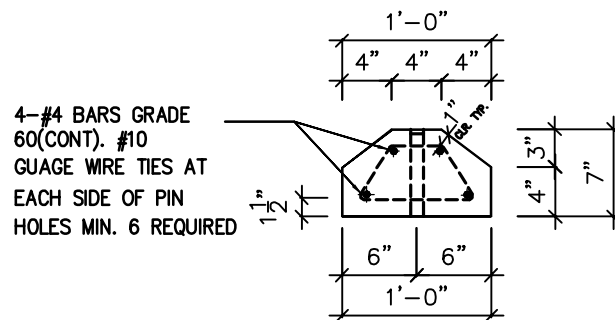
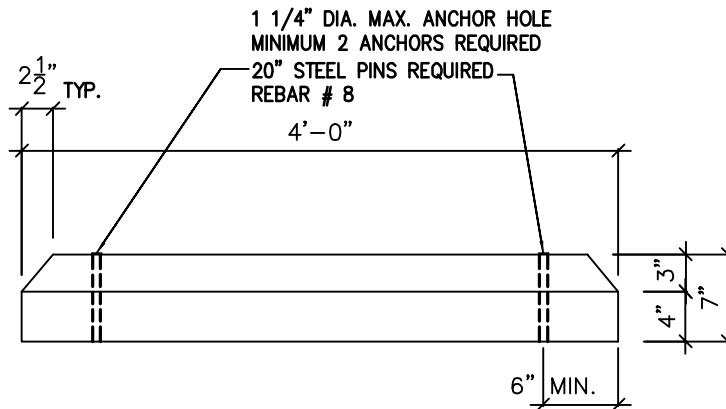


# TB04



**APC** AMERICAN PRECAST CONCRETE, INC.



1 4' PRECAST CONCRETE WHEEL STOP  
ST7 | ST8 SCALE: N.T.S.

## NOTE:

PORTLAND CEMENT CONCRETE SHALL BE A, SIX SACK MIX. DEVELOPING NOTHING LESS THAN 5000 PSI COMPRESSIVE STRENGTH AT 28 DAYS.

FACTORY: 2246 N. DURFEE AVE. EL MONTE, CA. 91732  
TEL. (626) 443-0970 FAX (818) 827-4941  
WEB: WWW. APC WHEELSTOPS.COM